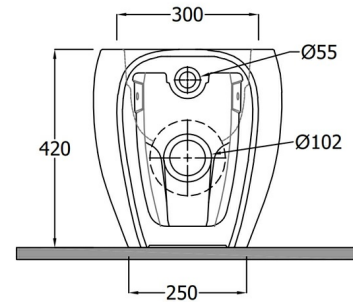
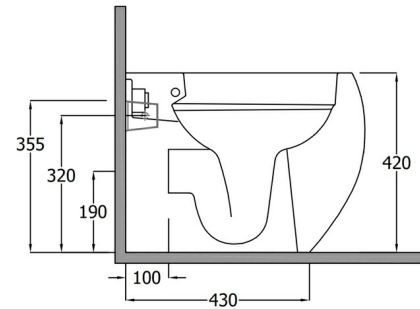
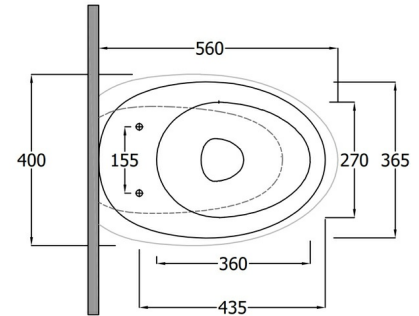


RAK-CLOUD W/HIDDEN FIXATIONS

Back to Wall | Water Closet

RAK
CERAMICS



Technical specifications

Dimensions:	560 x 400 mm
Weight:	30 Kg
Color:	Alpine White
Trap type:	P Trap & S Trap
Trapway type:	Concealed
Seat cover options:	Urea
Bowl shape:	Oval
Soft close:	yes
Quick remove seat cover:	yes
Flush Type:	Dual Flush
Suites:	RAK-CLOUD

Code	Name
CLOSC3901WH	RAK-CLOUD SOFT CLOSE UREA SEAT COVER (WH)
CLOWC1346AWHA	RAK-CLOUD WATER CLOSET ALPINE WHITE 56CM

Dimensions: All dimensions in mm. Tolerance of vitreous china & fireclay items: $\pm 5\%$ for below 200mm and $\pm 3\%$ for above 200mm; for all other items tolerance $\pm 1\%$. Note: Due to a continuing development program to improve design and performance, the manufacturer reserves all rights to vary specifications without prior information. Please note accessories are for photographic use only.