

TECHNICAL DATASHEET

Reference: RAK18001-09

Product: PEAK single lever bidet mixer



RAK18001-09

chrome

Product Description:

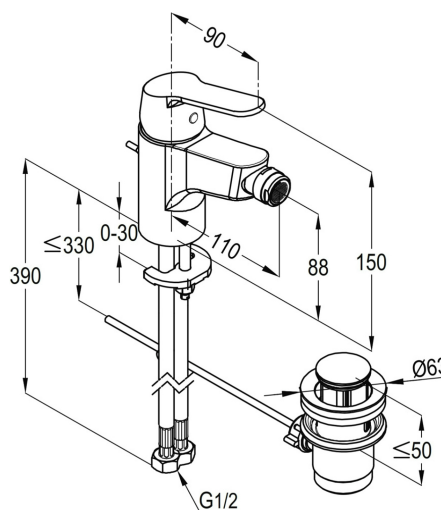
single lever bidet mixer DN 15
single hole mounted
solid lever
ceramic cartridge with hot water safety device
PCA ball joint aerator M24 x 1
flow level 1.0 gpm (3.8 ltr/min)#
flexible high pressure supply tubes 1/2 inch
rapid installation set
pop up waste 1 1/4 inch
in accordance to EN 817
Pressure Compensating Aerator 1.0 gpm (3.8 ltr/min)#

Advertisement:

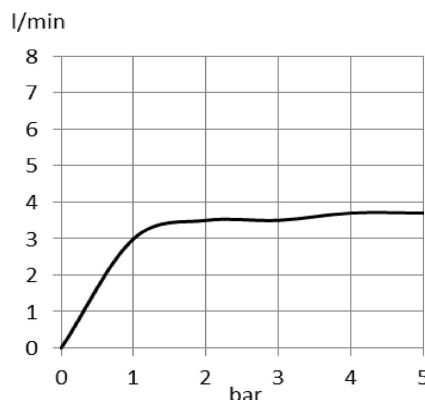
- * KLUDI RAK LLC item no. RAK18001-09 PEAK single lever bidet mixer
- * chrome plated brass, in accordance to EN 50930-6
- * in accordance to EN 817
- * ceramic cartridge K-35 with hot water safety device

single lever bidet mixer, manufacturer KLUDI RAK LLC
KLUDI RAK PEAK item no. RAK18001-09 type: single lever bidet mixer, DN 15/PN 10, chrome plated brass, solid lever, chrome plated metal, ceramic cartridge K-35 with hot water safety device, ball joint aerator M24 x 1, flow level 1.0 gpm (3.8 ltr/min), flexible high pressure supply tubes 1/2 inch with DVGW/KIWA/WRAS/CSTBAT approval, rapid installation set, with pop up waste 1 1/4 inch, for pressure type water heater dimensions: height 150 mm, nozzle height 88 mm, nozzle projection 110 mm, lever projection 90 mm

Line Drawing:



Water Flow Rate#:



variation: ± 15%



RAK18001-09 online

1/6/2021

KLUDI
RAK

"We Stand for Water Saving"