

TECHNICAL DATASHEET

Reference: RAK13060-09*

Product: PASSION single lever XL basin mixer



*RAK13060-09

Chrome Finish



*RAK13060-09.GD1

Gold Color
Glossy Finish



*RAK13060-09.RG1

Rose Gold Color
Glossy Finish



*RAK13060-09.BK1

Black Color
Glossy Finish

Product Description:

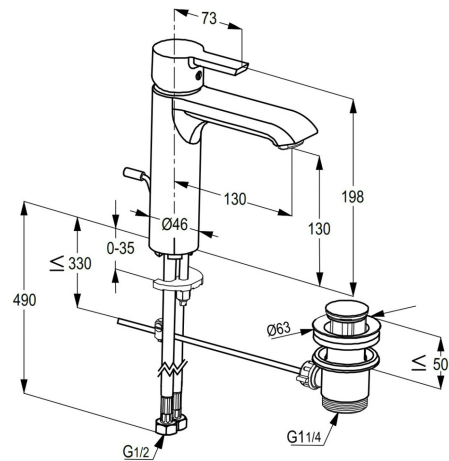
single lever basin mixer XL DN 15
single hole mounted
solid lever
ceramic cartridge with hot water safety device
PCA aerator M24 x 1
flow rate 3.8 ltr/min (1 gpm)#
flexible high pressure supply tubes 1/2 inch
rapid installation set
pop up waste 1 1/4 inch
in accordance to EN 817
Pressure Compensating Aerator 3.8 ltr/min (1 gpm)#

Advertisement:

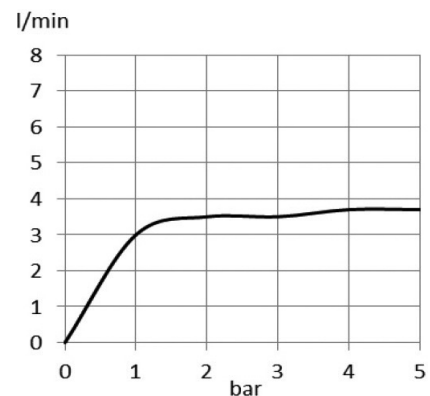
* KLUDI RAK LLC item no. RAK13060-09 PASSION
single lever basin mixer XL
* Chrome plated/PVD Gold/PVD Rose Gold/PVD Black
brass, in accordance to EN 50930-6
* in accordance to EN 817
* ceramic cartridge K-35 with hot water safety device

single lever basin mixer XL, manufacturer KLUDI RAK
LLC, KLUDI RAK PASSION item no. RAK13060-09, type:
single lever basin mixer XL, DN 15/PN 10, Chrome
plated/PVD Gold/PVD Rose Gold/PVD Black brass, solid
lever, Chrome plated/PVD Gold/PVD Rose Gold/PVD
Black metal, ceramic cartridge K-35, with hot water
safety device, PCA aerator M24 x 1, flow rate 3.8 ltr/min,
flexible high pressure supply tubes 1/2 inch, with
DVGW/KIWA/WRAS/CSTBAT approval, rapid
installation set, with pop up waste 1 1/4 inch,
dimensions: height 198 mm, nozzle height 130 mm,
nozzle projection 130 mm, lever projection 73 mm

Line Drawing:



Water Flow Rate#:



variation: ± 15%



RAK13060-09 online

1/6/2021

KLUDI
RAK

"We Stand for Water Saving"