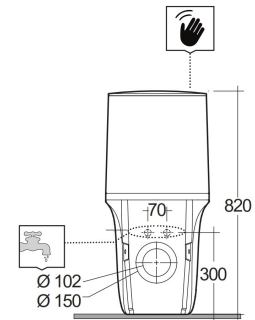
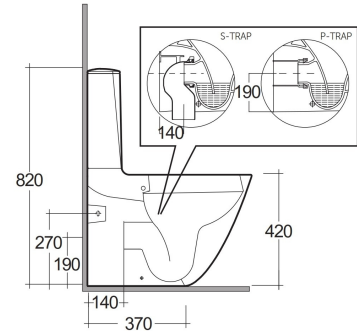
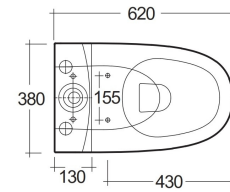


RAK-SENSATION WITH TOUCHLESS FLUSHING

Back to Wall | Water Closet

RAK
CERAMICS



TECHNICAL SPECIFICATIONS

Suite:	RAK-SENSATION
Type:	Back to Wall
Dimensions:	620 x 380 mm
Weight:	31.3 Kg
Color:	Alpine White
Trap type:	P Trap & S Trap
Trapway type:	Concealed
Seat cover options:	Urea
Bowl shape:	Oval
Flush Type:	Dual Flush

Code	Name
SENWC1146AWHA	SENSATION WATER CLOSET BACK TO WALL P S-TRAP 62CM
SENWT1805AWHA	RAK-SENSATION TOUCHLESS FLUSH
SENSC3900WH	Urea RAK-Sensation Seat Cover
SENSC3901WH	Urea Soft Close RAK-Sensation Seat Cover

Dimensions: All dimensions in mm. Tolerance of vitreous china & fireclay items: $\pm 5\%$ for below 200mm and $\pm 3\%$ for above 200mm; for all other items tolerance $\pm 1\%$. Note: Due to a continuing development program to improve design and performance, the manufacturer reserves all rights to vary specifications without prior information. Please note accessories are for photographic use only.