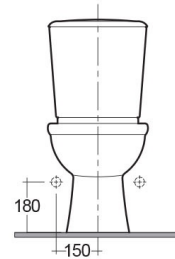
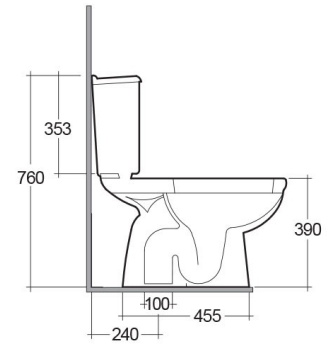
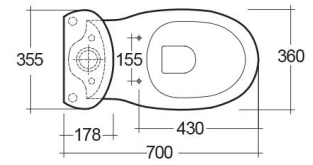


**RAK-KARLA**  
**Close Coupled | Water Closet**

**RAK**  
 CERAMICS



**TECHNICAL SPECIFICATIONS**

Suite:	RAK-KARLA
Type:	Close Coupled
Dimensions:	700 x 360 mm
Weight:	27 Kg
Color:	Alpine White, Ivory
Trap type:	S Trap
Trapway type:	Concealed
Seat cover options:	ABS & Urea
Bowl shape:	Oval
Soft close:	yes
Flush Type:	Dual Flush

Code	Name
KR03AWHA	KARLA WATER CLOSET CLOSE COUPLED S-TRAP 70CM
KR10AWHA	KARLA WATER CLOSET TANK

Dimensions: All dimensions in mm. Tolerance of vitreous china & fireclay items: ± 5% for below 200mm and ± 3% for above 200mm; for all other items tolerance ± 1%. Note: Due to a continuing development program to improve design and performance, the manufacturer reserves all rights to vary specifications without prior information. Please note accessories are for photographic use only.

