

RAK-VARIANT - VARDI14201AWHA

Wash basin | Drop In

RAK
CERAMICS



Technical specifications

Dimensions: 420 x 420 mm

Weight: 5 Kg

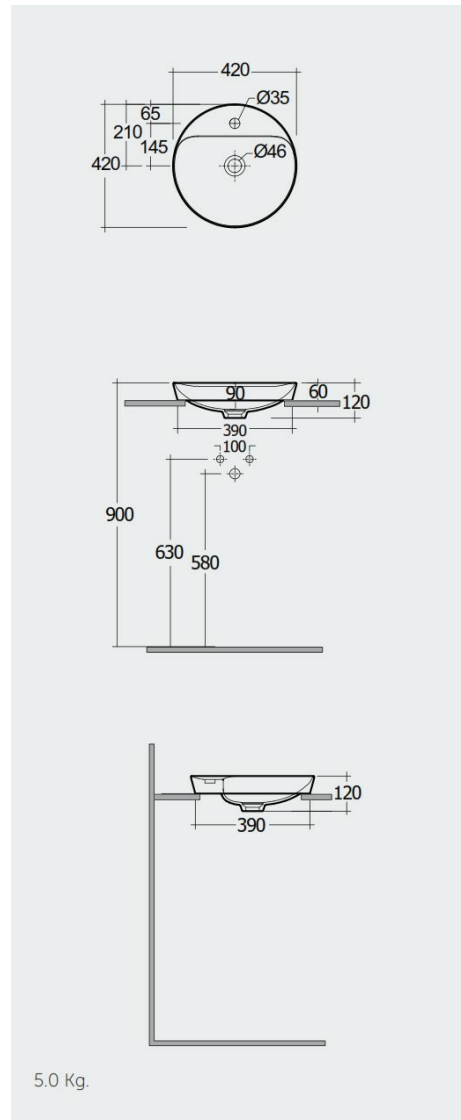
Color: Alpine White

Shape of basin: Round

Suites: [RAK-VARIANT](#)

Code Name

VARDI14201AWHA ROUND DROP IN WASH BASIN WITH TAP HOLE 42 CM -
VARDI14201AWHA



Dimensions: All dimensions in mm. Tolerance of vitreous china & fireclay items: $\pm 5\%$ for below 200mm and $\pm 3\%$ for above 200mm; for all other items tolerance $\pm 1\%$. Note: Due to a continuing development program to improve design and performance, the manufacturer reserves all rights to vary specifications without prior information. Please note accessories are for photographic use only.