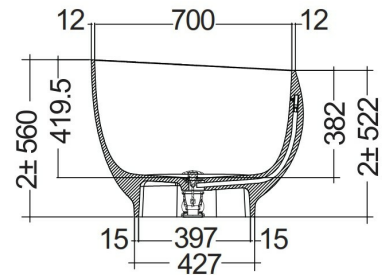
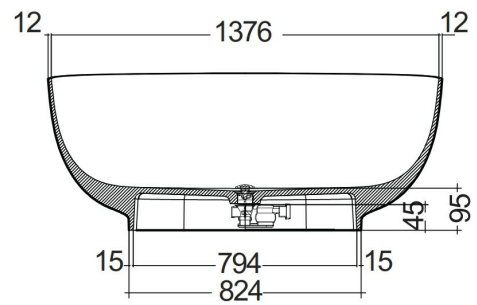
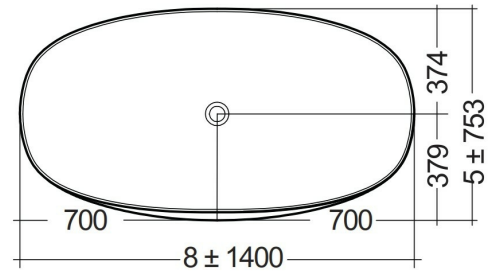


RAK-CLOUD MATT WHITE - CLOBT14075500

Bathtubs

RAK
CERAMICS



Technical specifications

| | |
|-----------------|---------------------------|
| Dimensions: | 753 x 1400 mm |
| Water capacity: | 172 l |
| Weight: | 125 Kg |
| Color: | MATT WHITE - 500 |
| Suites: | RAK-CLOUD |

| Code | Name |
|---------------|--|
| CLOBT14075500 | RAK-CLOUD FREE STANDING BATHTUB MATT WHITE 140X758CM |

Dimensions: All dimensions in mm. Tolerance of vitreous china & fireclay items: $\pm 5\%$ for below 200mm and $\pm 3\%$ for above 200mm; for all other items tolerance $\pm 1\%$. Note: Due to a continuing development program to improve design and performance, the manufacturer reserves all rights to vary specifications without prior information. Please note accessories are for photographic use only.